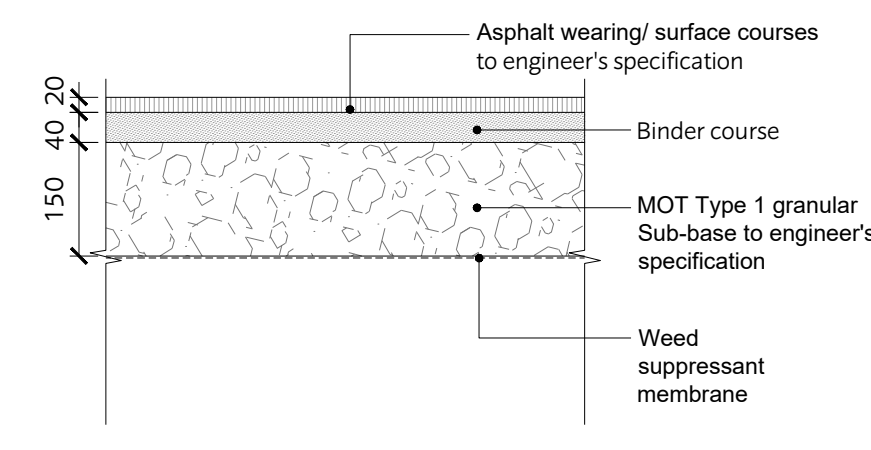
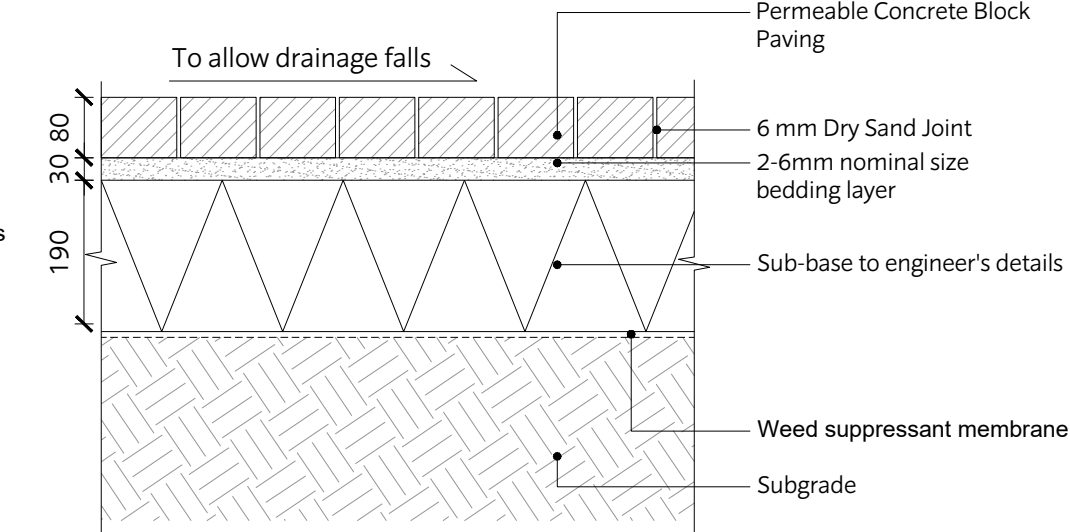


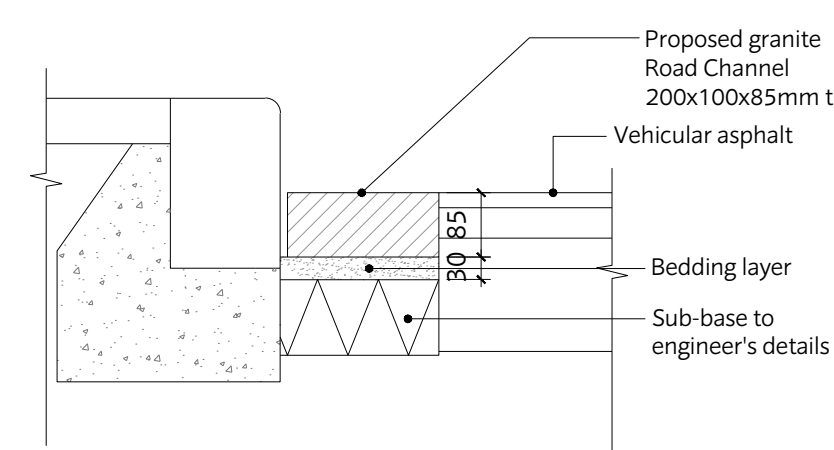
1 Vehicular Asphalt
Scale: 1:10



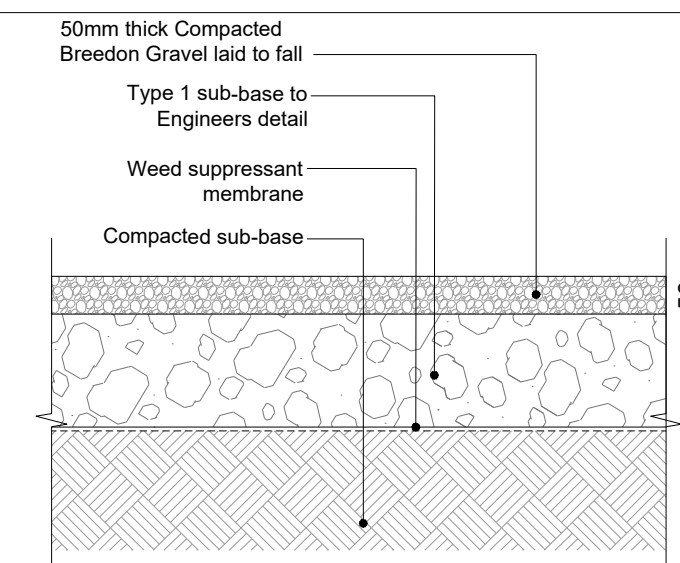
2 Pedestrian Asphalt
Scale: 1:10



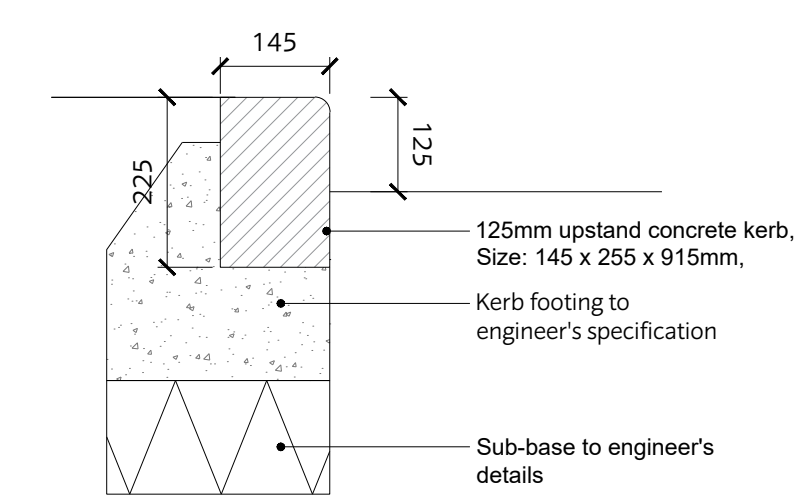
3 CONCRETE BLOCK PAVING
Scale: 1:10



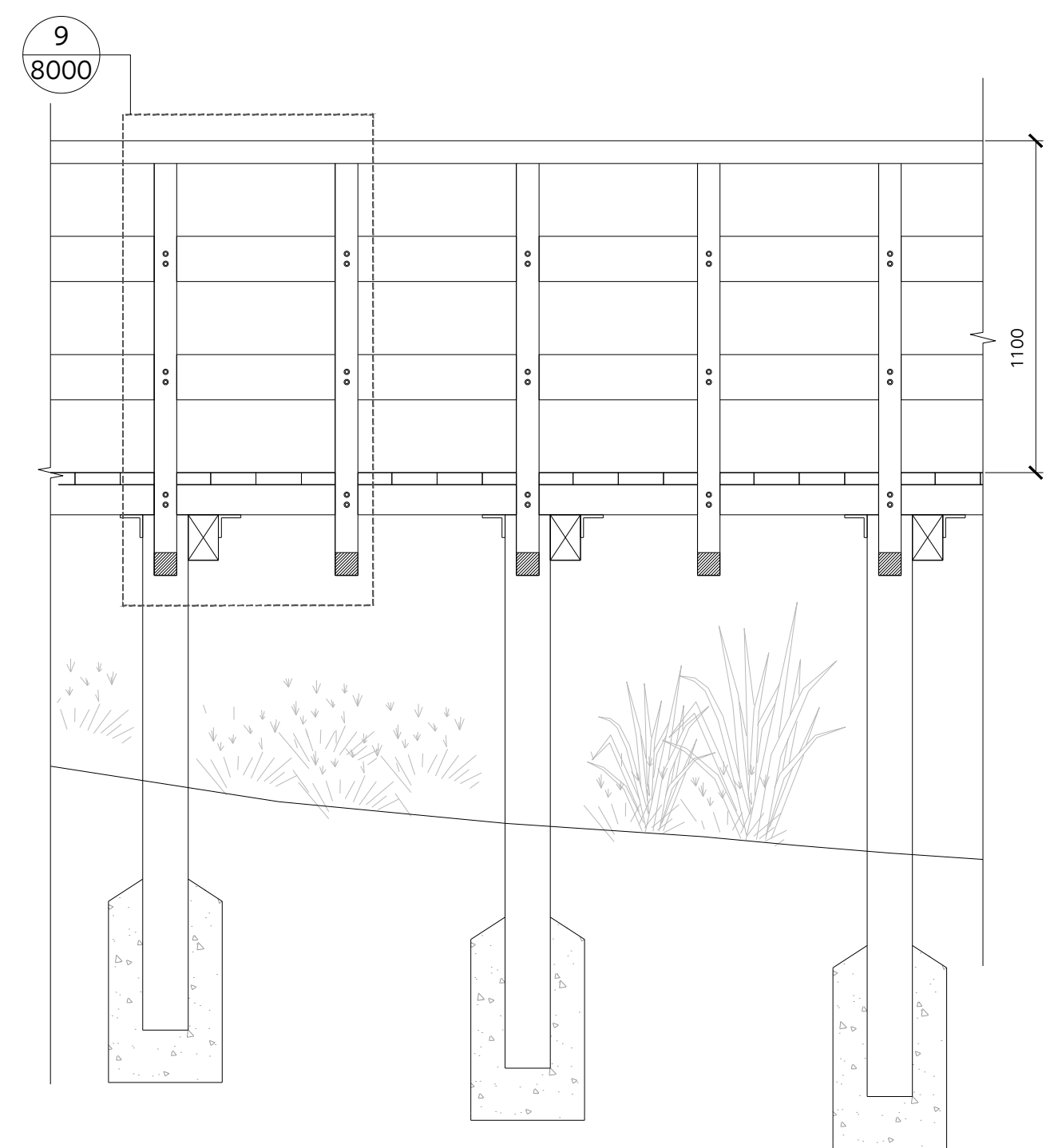
4 Road Channel Detail
Scale: 1:10



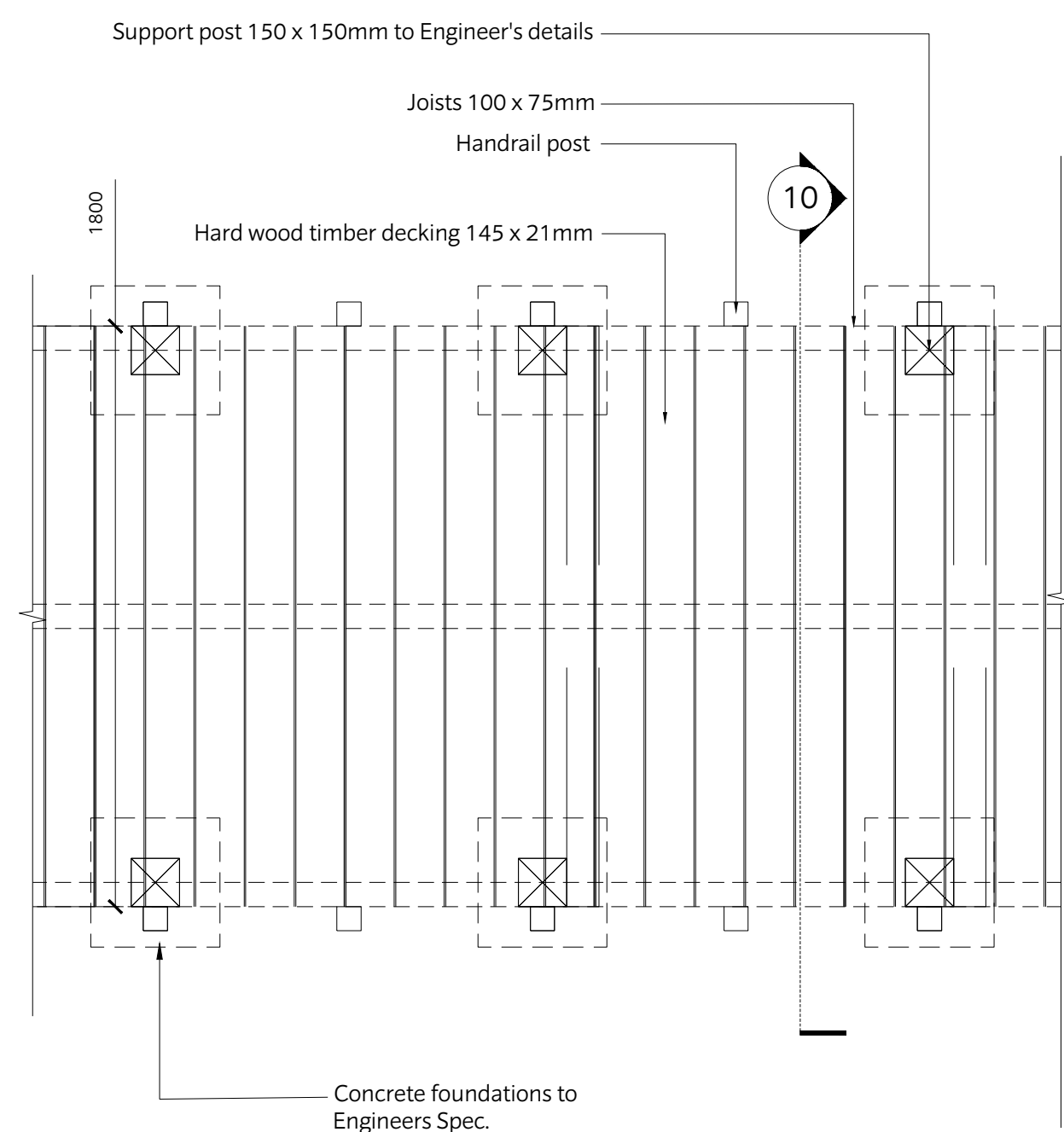
5 Bredon Gravel
Scale: 1:10



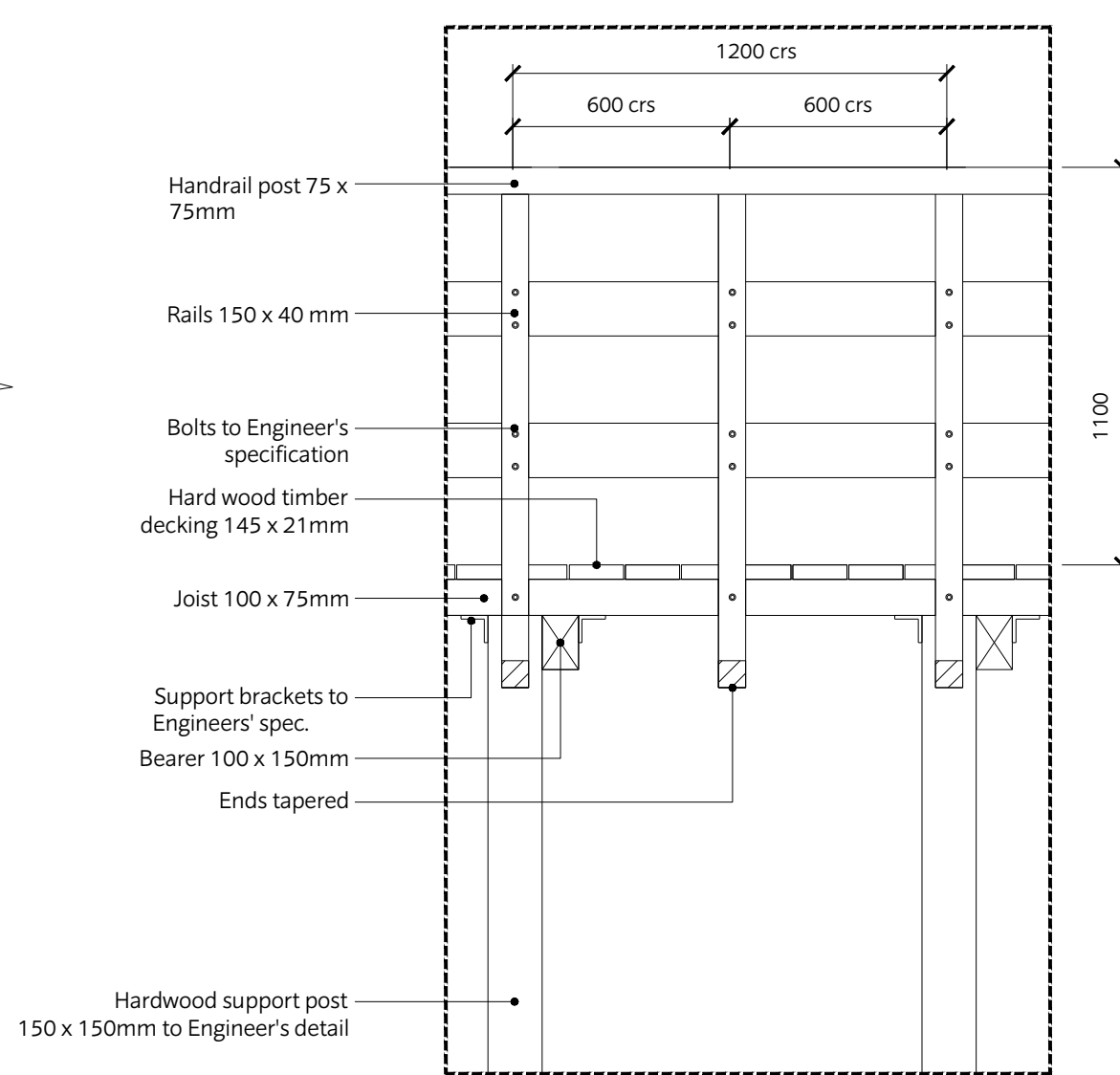
6 Precast Concrete Kerb
TO FRONT OF FOOTPATH
Scale: 1:10



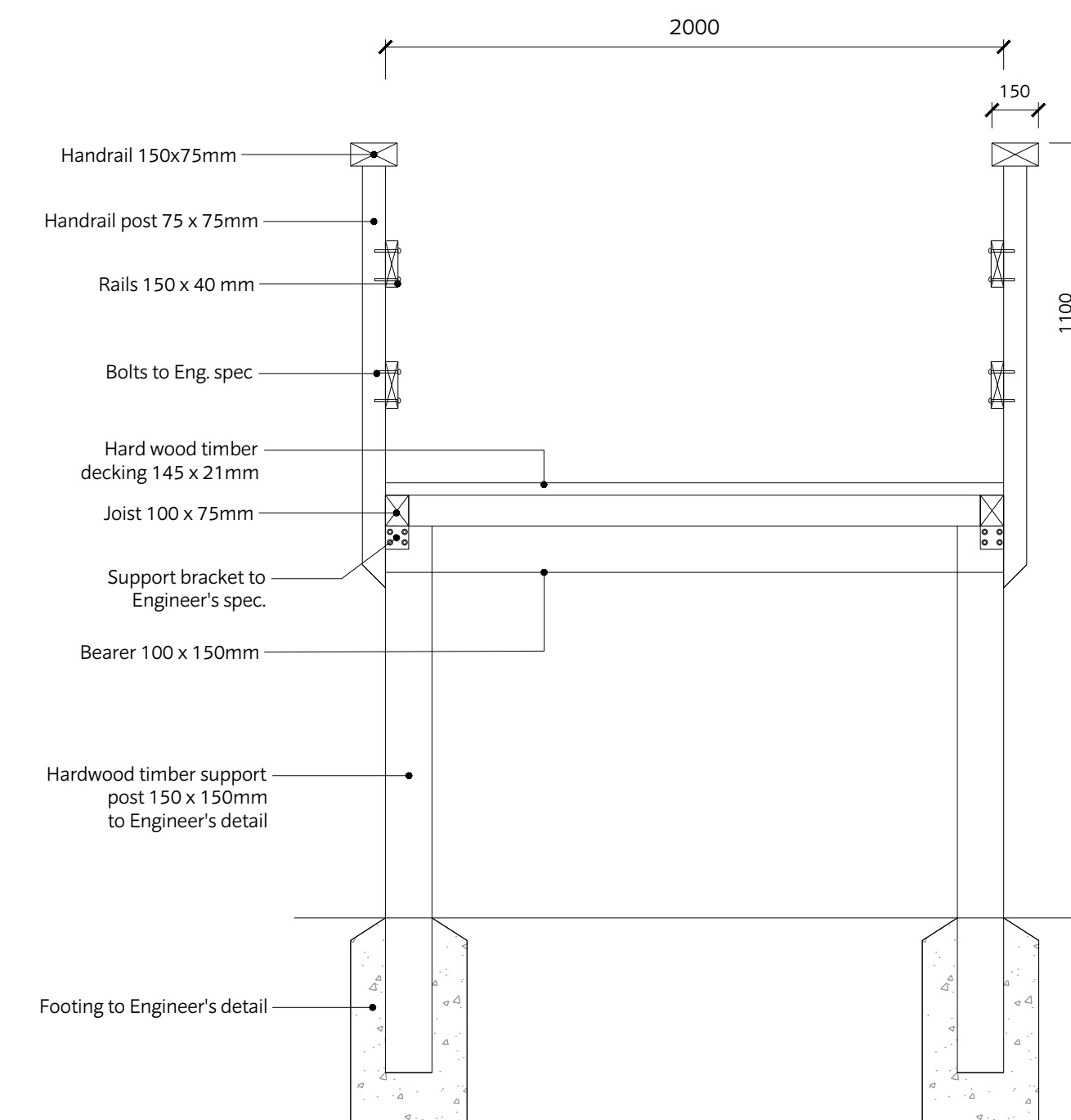
7 ELEVATION RAISED BOARDWALK
Scale: 1:20



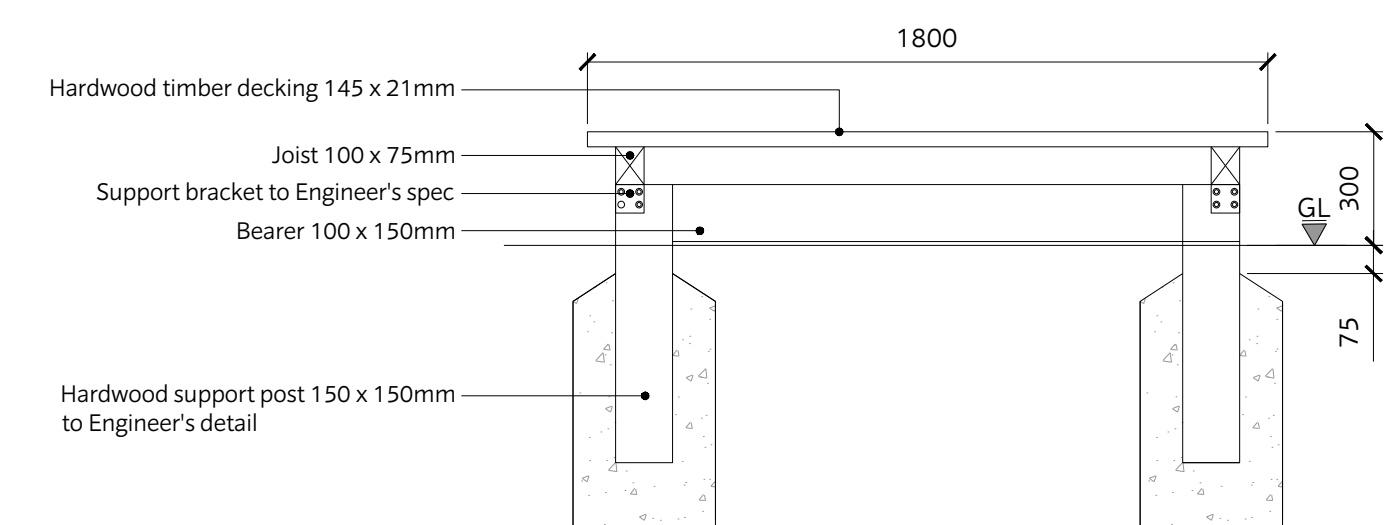
8 PLAN BOARDWALK
Scale: 1:20



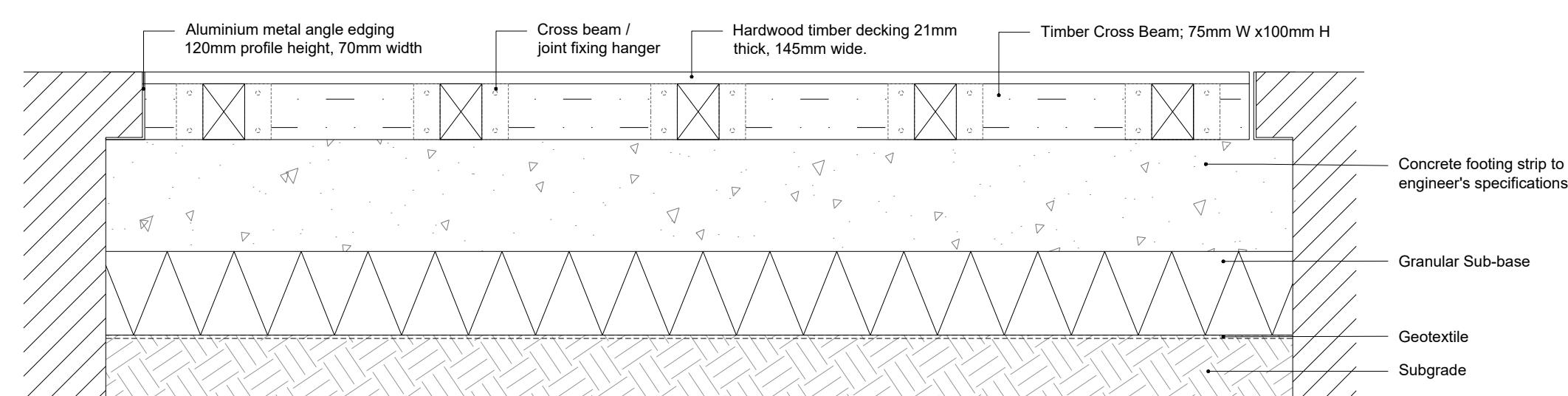
9 TYPICAL BOARDWALK & FOOTBRIDGE RAILING DETAIL
Scale: 1:20



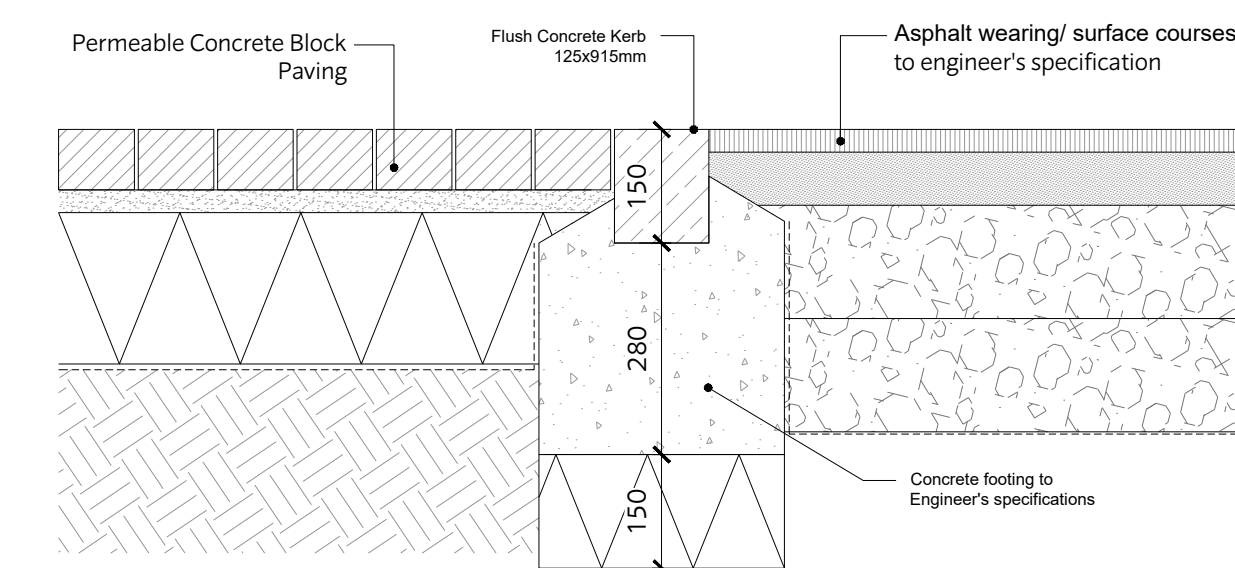
10 TYPICAL BOARDWALK & FOOTBRIDGE SECTION
Scale: 1:20



11 TYPICAL BOARDWALK SECTION - LOW LEVEL
Scale: 1:20



12 TYPICAL COMPOSITE TIMBER DECKING
Scale: 1:10



13 INTERFACE DETAIL/ FLUSH KERB DETAIL
Scale: 1:10

This document should not be relied on or used in circumstances other than those for which it was prepared and for which Chris Blandford Associates was commissioned. Chris Blandford Associates accepts no responsibility for this document to any other party other than the person by whom it was commissioned.

P3	10/06/20	PC	Revised Reserved Matters Application
P2	28/02/20	PK	Revised Reserved Matters Application
SO	08/11/19	MA	Stage 3 Issue
P1	06/09/19	SM	Issued For Planning
PO	23/08/19	WZ	Issued For Planning
Rev	Date	Drw	Revision or reason for Issue

CHRIS BLANDFORD ASSOCIATES
landscape | environment | heritage
The Print Rooms Studio 511 164/180 Union St Waterloo London SE1 0LH
T +44 (0)20 7089 6480 E mail@cbastudios.com W www.cbastudios.com

Client
Castlefield International Limited

Project Title
TEVERSHAM ROAD FULBOURN

Drawing Series and Title
**8000 SERIES
Hard Landscape Outline Details**

Scale @ A1 Drawn Date
AS SHOWN PC AUG 2019
Approved Drawing Status
AS FOR PLANNING

Drawing number Revision
TRF-CBA-1-GF-M2-L-8000 P3